

## Rear-Mount HMI



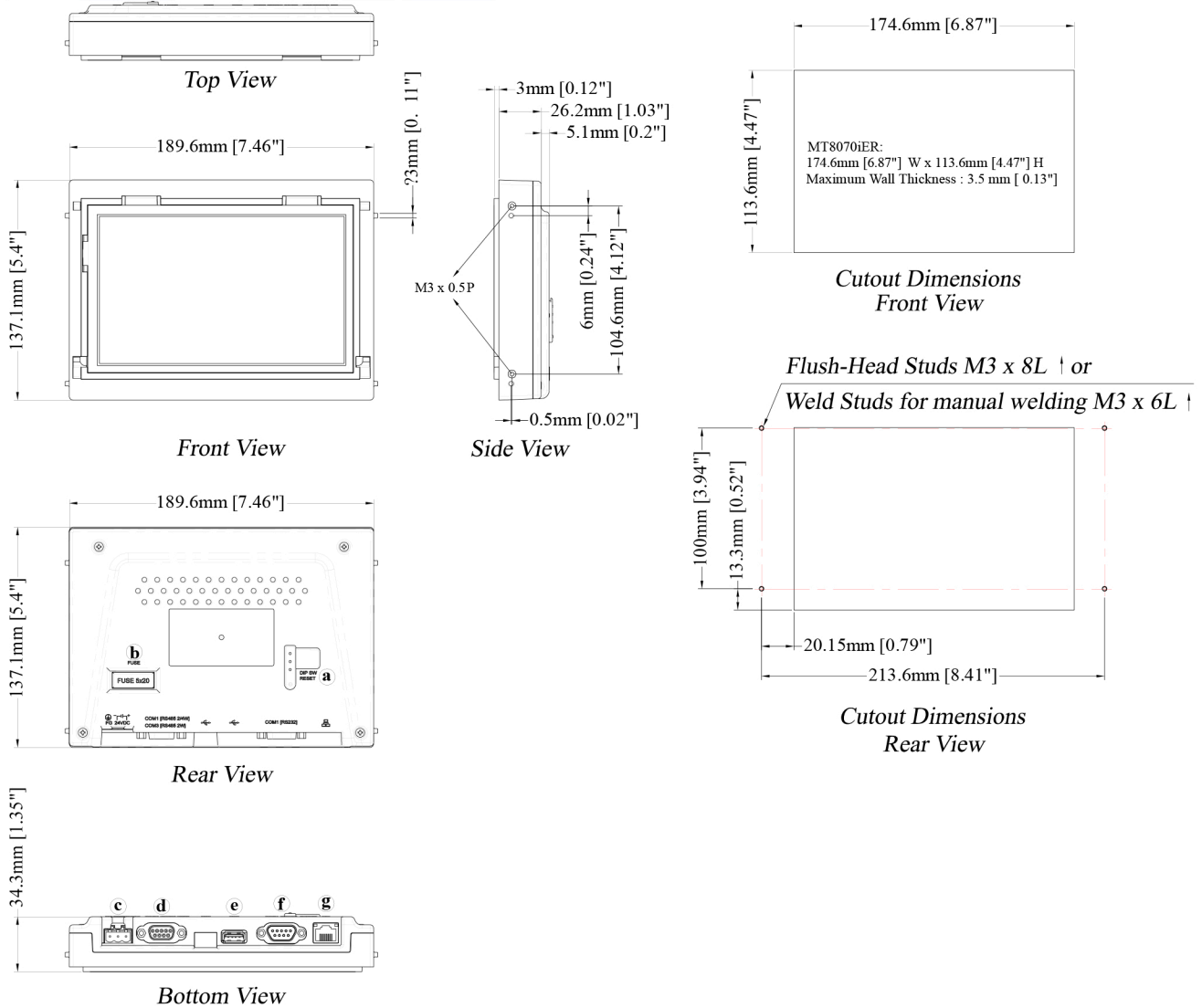
### Feature

- 7" 800 x 480 TFT LCD, LED Backlight
- Highly flexible customized exterior design
- Easy installation in embedded application, the mounting brackets can fit different wall thicknesses
- Perfectly flush with control plate at front, dust-proof and waterproof flat cabinet
- Fan-less Cooling System
- COM1 and COM3 RS-485 dual isolation design ensures reliable operation in complex grounding application.
- COM1 and COM3 RS-485 support MPI 187.5K, please use one at one time
- PCB coating process ensures high reliability to resist from corrosion in harsh environment.
- NEMA4 / IP65 (With Proper Overlay Installed)

<b>Display</b>	Display	7" TFT
	Resolution	800 x 480
	Brightness (cd/m <sup>2</sup> )	350
	Contrast Ratio	500:1
	Backlight Type	LED
	Backlight Life Time	>30,000 hrs.
	Colors	16M
<b>Touch Panel</b>	Type	4-wire Resistive Type
	Accuracy	Active Area Length(X)±2%, Width(Y)±2%
<b>Memory</b>	Flash	128 MB
	RAM	128 MB
<b>Processor</b>		32 bits RISC Cortex-A8 600MHz
<b>I/O Port</b>	SD Card Slot	N/A
	USB Host	USB 2.0 x 1
	USB Client	N/A
	Ethernet	10/100 Base-T x 1
	COM Port	COM1: RS-232/RS-485 2W/4W, COM3: RS-485 2W
	RS-485 Dual Isolation	Yes
	CAN Bus	N/A
	HDMI	N/A
	Audio Output	N/A
Video Input	N/A	
<b>RTC</b>		Built-in
<b>Power</b>	Input Power	24±20% VDC
	Power Isolation	Built-in
	Power Consumption	350mA@24VDC
	Voltage Resistance	500VAC (1 min.)
	Isolation Resistance	Exceed 50MΩ at 500VDC
	Vibration Endurance	10 to 25Hz (X, Y, Z direction 2G 30 minutes)
<b>Specification</b>	PCB Coating	Yes
	Enclosure	Plastic
	Dimensions WxHxD	189.6 x 137.1 x 34.3 mm
	Panel Cutout	174.6 mm x 113.6 mm
	Panel Thickness	1.5 mm [0.06"] ~ 3.5 mm [0.13"]
	Weight	Approx. 520 g
	Mount	Rear mount
<b>Environment</b>	Protection Structure	NEMA4 / IP65*
	Storage Temperature	-20° ~ 60°C (-4° ~ 140°F)
	Operating Temperature	0° ~ 50°C (32° ~ 122°F)
	Relative Humidity	10% ~ 90% (non-condensing)
<b>Certificate</b>	CE	CE marked
<b>Software</b>		EasyBuilder Pro V3.00.01 or later versions

\*Note: Protection Structure IP65 can be expected if you affix the Overlay (optional) on the screen of the unit and the surroundings. Weintek does not guarantee the protective structure.  
 IP65: Dust tight, protected against water jets.

## Dimensions



<b>a</b>	DIP SW	<b>e</b>	USB Host Port
<b>b</b>	Fuse	<b>f</b>	COM1 RS232
<b>c</b>	Power Connector	<b>g</b>	Ethernet Port
<b>d</b>	COM1 RS-485 2W/4W, COM3 RS-485 2W	<b>h</b>	

Pin Assignment: COM1 [RS232] 9 Pin, Male, D-sub

PIN#	Symbol	COM1 [RS232]
1	Not used	
2	RxD	Received Data
3	TxD	Transmitted Data
4	Not used	
5	GND	Ground
6	Not used	
7	RTS	Ready to send
8	CTS	Clear to send input
9	Not used	

## Ordering Information

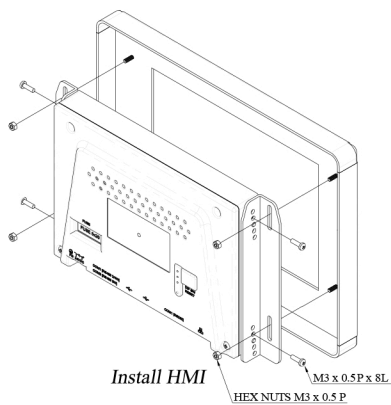
### □ MT8070iER1:

7" 800 x 480 TFT LCD HMI, built-in 128 MB flash memory / 128 MB DDR2 RAM

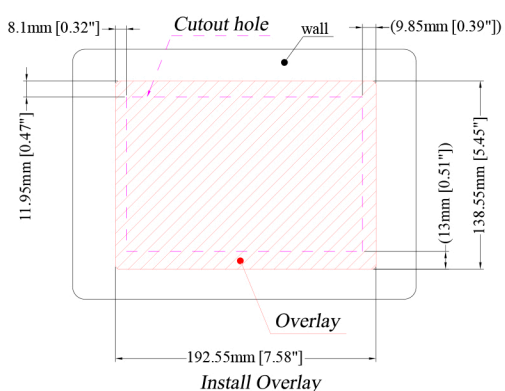
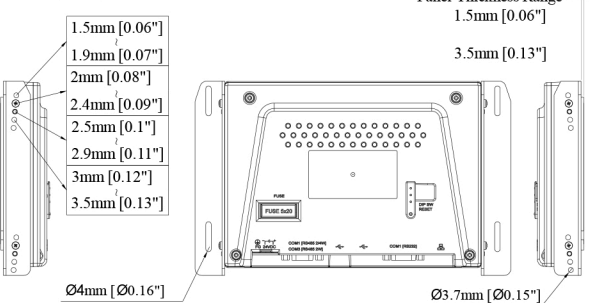
COM1 / COM3 [RS485] 9 Pin, Female, D-sub

PIN#	Symbol	COM1 [RS485]		COM3 [RS485]
		2W	4W	
1	Rx-	Data-	Rx-	
2	Rx+	Data+	Rx+	
3	Tx-		Tx-	
4	Tx+		Tx+	
5	GND	GND(COM1)		
6	Not used			
7	Data-			Data-
8	Data+			Data+
9	GND			GND(COM3)

## Installaiton



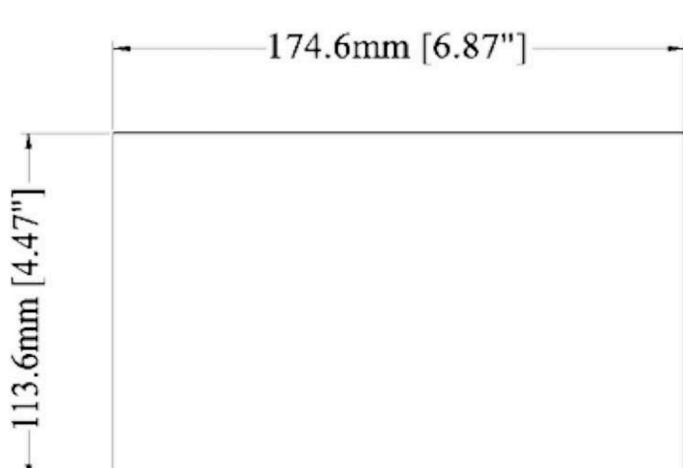
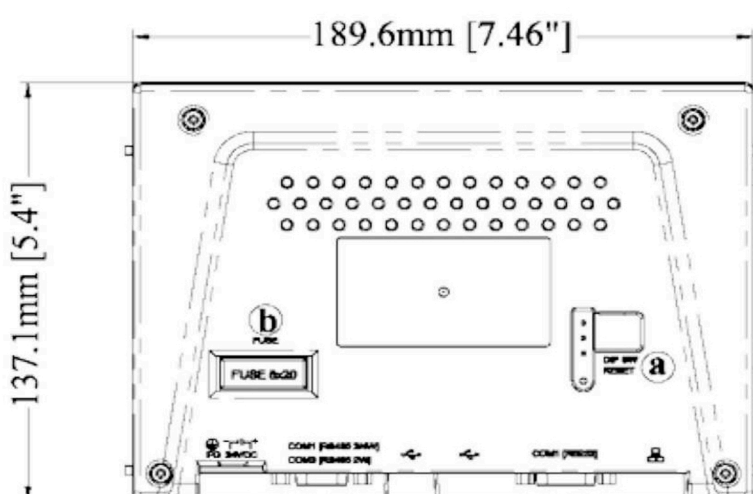
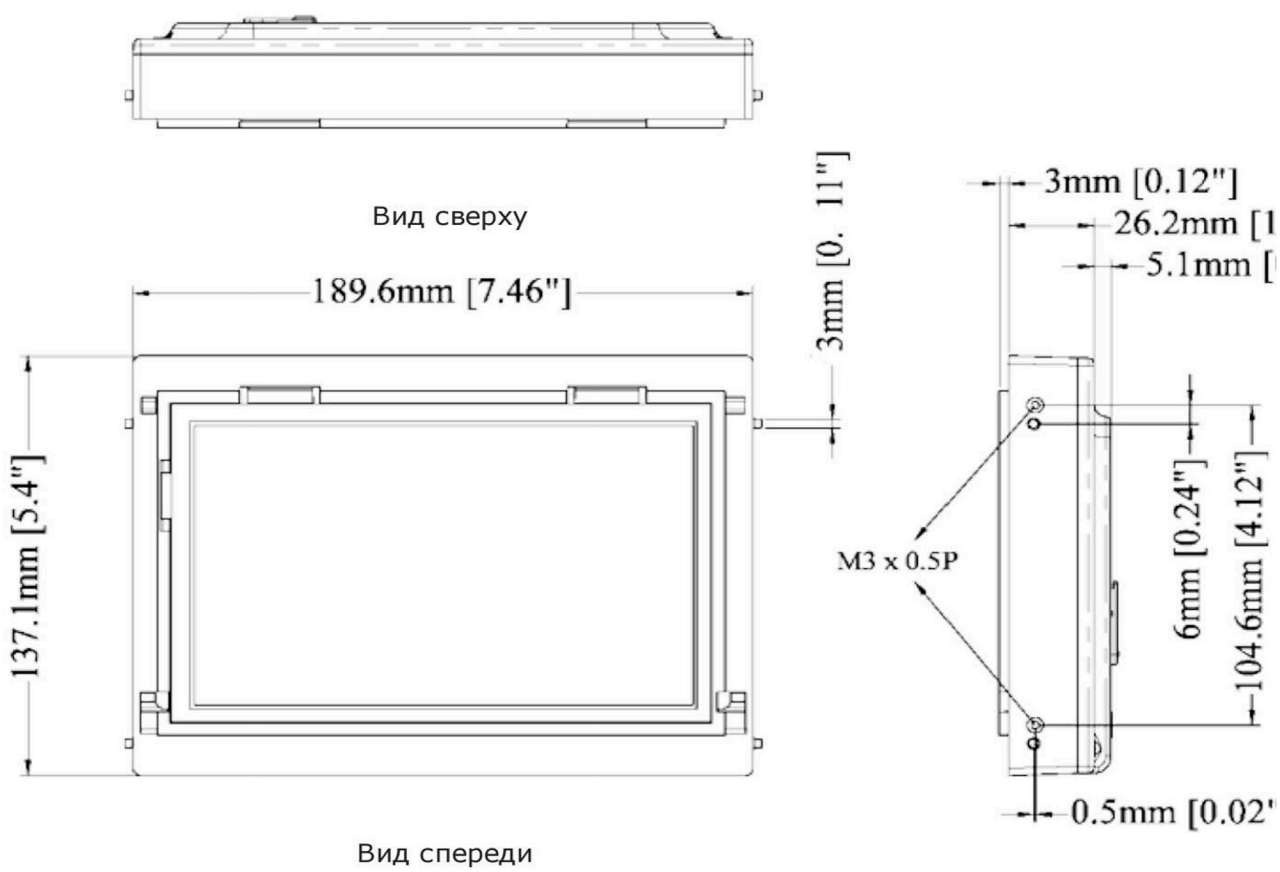
Choose the mounting holes that match your panel thickness .



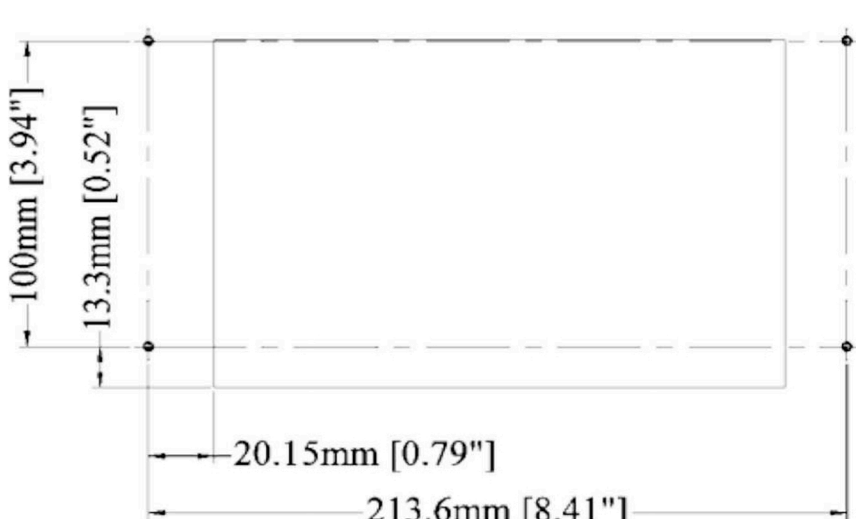
1. Around the cutout on the control cabinet, draw the reference lines for positioning the overlay (optional).
2. Select the mounting holes according to the wall thickness of control cabinet and secure the mounting brackets onto both sides of the HMI unit.
3. Secure the HMI to the cabinet by four studs.
4. Affix the overlay (optional) to the cabinet front surface.

MT8070iER1\_DataSheet\_ENG\_20150123

## Габариты MT8070iER



Размеры посадочного отверстия, вид спереди



Размеры посадочного отверстия, вид сзади

MT8070iER:  
174.6mm [6.87"] W x 113.6mm  
Максимальная толщина стены  
0.13"

Скрытые шпильки М3х или сварные шпильки для ручного приваривания

a	DIP SW & Кнопка сброса (перезагрузки)	e	USB-хост
b	Предохранитель	f	Com1 RS232
c	Питание	g	Ethernet
d	Com1 RS485 2w/4w, Com3 RS-485 2w		